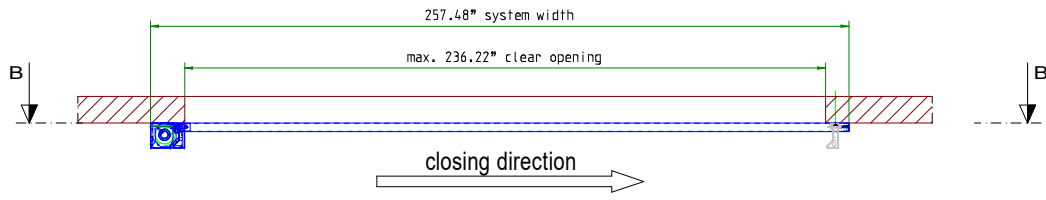
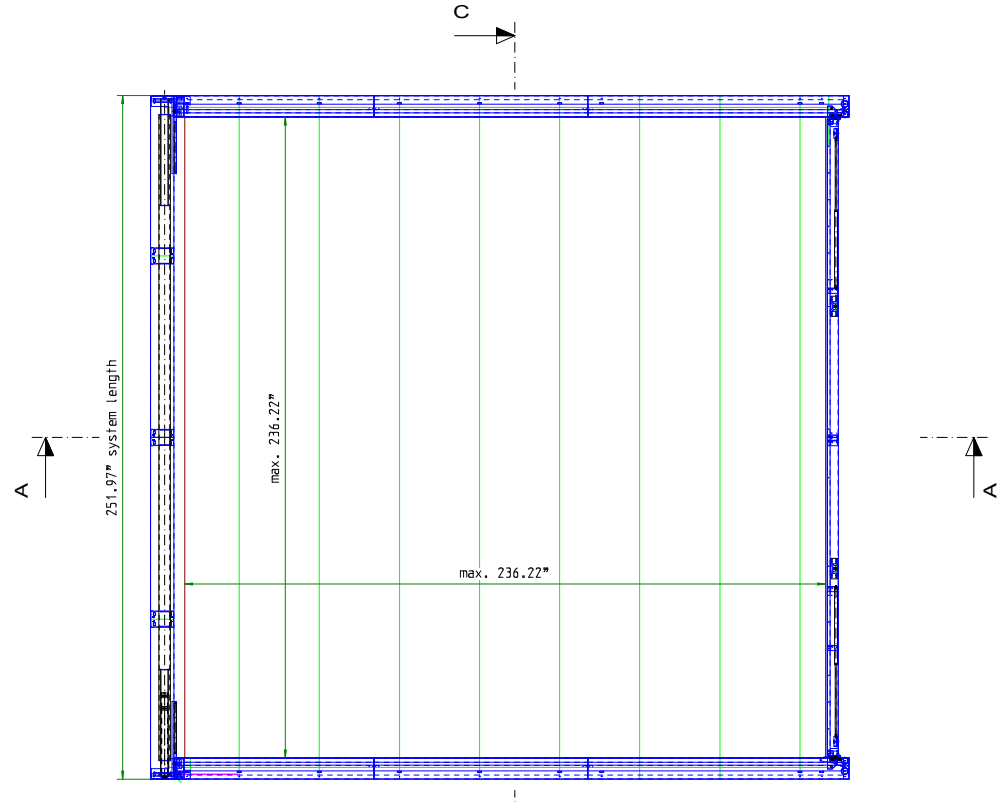


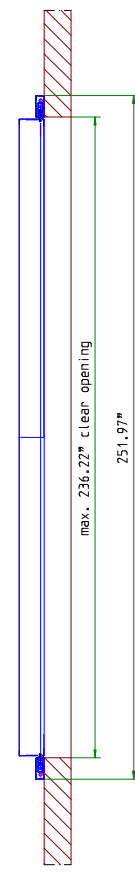
A - A



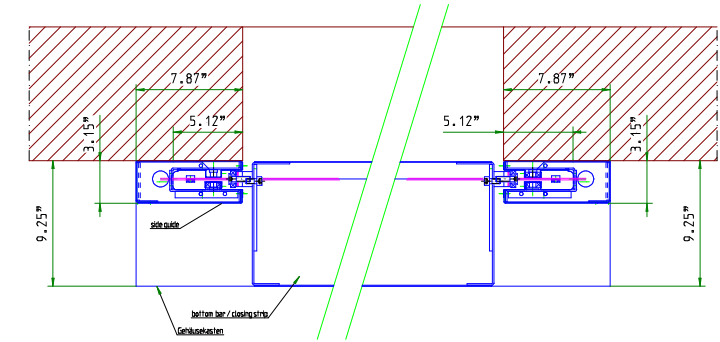
B - B



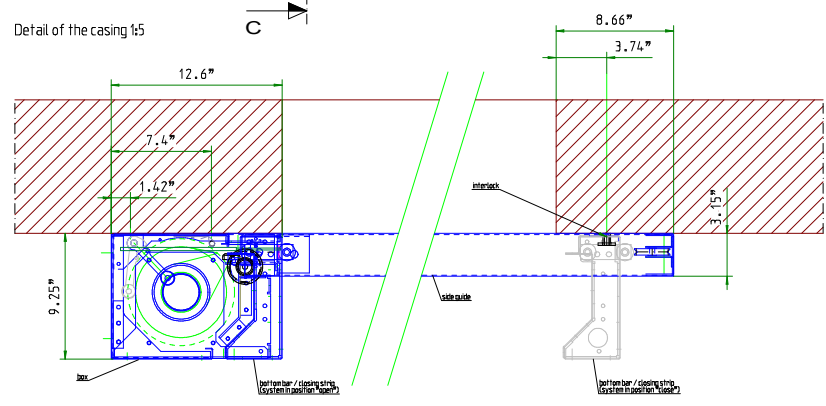
C - C



Detail of the side guides 1:5



Detail of the casing 1:5



All dimensions are in decimal inches unless stated otherwise!

Openings for revision have to be provided by site in the range of casing, side guides, trigger units and control box. The accurate position and size has to be cleared with Stöbich.

Opening and slope of the wall corresponding to DIN 18202		checked by Stöbich: (date, name)		checked by client: (date, name)	
drawn by computer aided design change only by CAD		date		drawn by	
item code:		drawing no.:		weight:	
location		Fire & Smoke Curtain HC 6x6m		part no.:	
AB-pos.:	quantity:	Stöbich Brandschutz GmbH Postfach 6 33649 Geseke, Germany fax: +49 (0) 52 21-57 08-5 tel: +49 (0) 52 21-57 08-08 mail: info@stoebich.de			
Stöbich logo		branch north			
version	date	name	sign	substitute for	substitute by: