

## **AUTOMATIC HORIZONTAL SMOKE CURTAIN H & HC**

The horizontal smoke curtain H & HC are ideal for protecting large ceiling openings that required a full area closure with extensive drop length against the effects of fire.

**UL-1784, UL-10D**



## **THE HORIZONTAL FIRE PROTECTION CURTAIN FOR CEILING OPENINGS**

**PRODUCT DATA SHEET | AUTOMATIC HORIZONTAL SMOKE CURTAIN H & HC | FOR CEILING OPENINGS**

**CERTIFICATIONS**

**NFPA 252**  
**ASTM E84 (CAN/ULC-S102)**

Fire resistance: **E 120**  
**2,000 °F/120 min**

**UL-1784, UL-10D, UL 864**

**Smoke Curtain H**

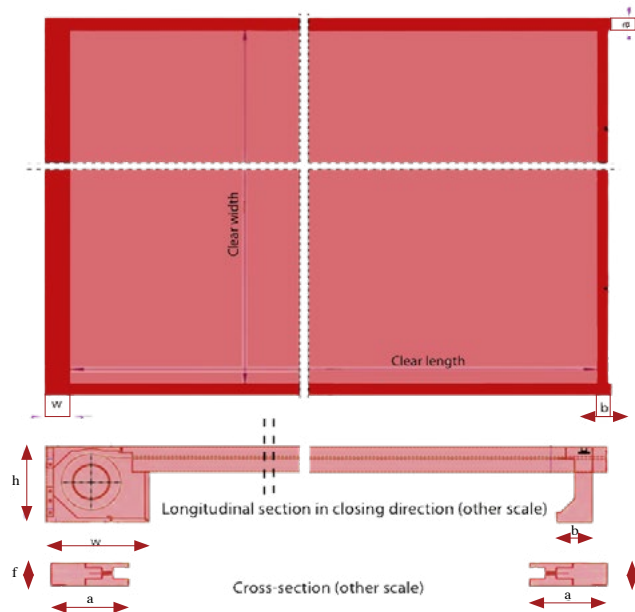
- System for large openings in ceilings up to 66' in width and high drop length
- Tensioning cables in a distance of 5' to support the fabric with large dimensions and the pressure load
- High variability in design (e.g. arch-shaped)
- Safe-closing process up to 17' drop length with gas spring (no auxiliary energy) or with duplex drive system (electrical power supply is required) for drop length up to 30'
- Spring system is closing with fail-safe technology

**Smoke Curtain HC**

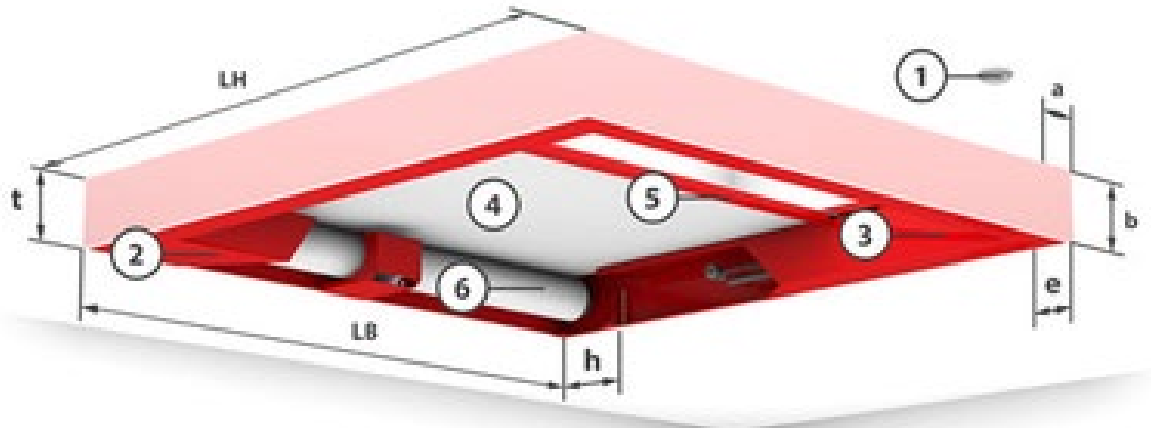
- System for large openings in ceilings without supporting or tensioning cables up to 33' x 33' (two-part version up to 33'x 66')
- Housing and bottom bar build a closed casing under operating condition
- Motorized closing and opening (emergency



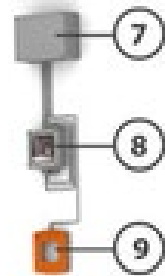
System	Clear width	Clear length	a	b	h	w	f
Spring	≤ 4.6'	≤ 5'	4.72"	4.29"	7.48"	7.87"	7.48"
Spring	≤ 15'	≤ 9.5'	4.72"	4.29"	7.48"	9.84"	7.48"
Spring	≤ 15'	9.5' - 16.4'	5.91"	4.29"	9.25"	11.42"	9.25"
Spring	15' - 100'	9.5' - 16.4'	5.91"	8.86"	9.25"	12.60"	9.25"
Duplex	≤ 66'	9.5' - 27.9'	6.30"	13.19"	10.79"	13.98"	3.15"
HC (1-part)	≤ 20'	≤ 20'	7.87"	8.66"	9.25"	11.81"	3.15"
HC (1-part)	≤ 33'	≤ 33'	11.81"	12.99"	15.75"	19.69"	5.91"
HC (2-part)	≤ 33'	≤ 66'	11.81"	19.69"	15.75"	19.69"	5.91"



**PRODUCT DATA SHEET | AUTOMATIC HORIZONTAL SMOKE CURTAIN H & HC | FOR CEILING OPENINGS**



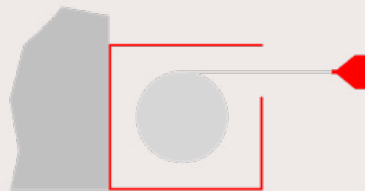
- 1 Smoke detector
- 2 Casing
- 3 Side guide
- 4 Cloth
- 5 Closing element
- 6 Tubular motor
- 7 Control module
- 8 Control with operating unit
- 9 Manual release



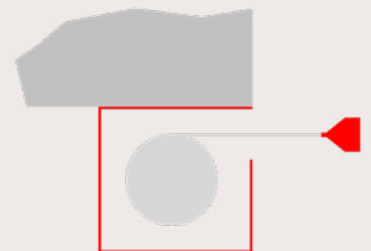
**INSTALLATION OPTIONS**

The system has 2 different mounting possibilities (below the ceiling and in the embrasure)

In the event of an alarm, the system closes using the spring force without requiring an external power source.

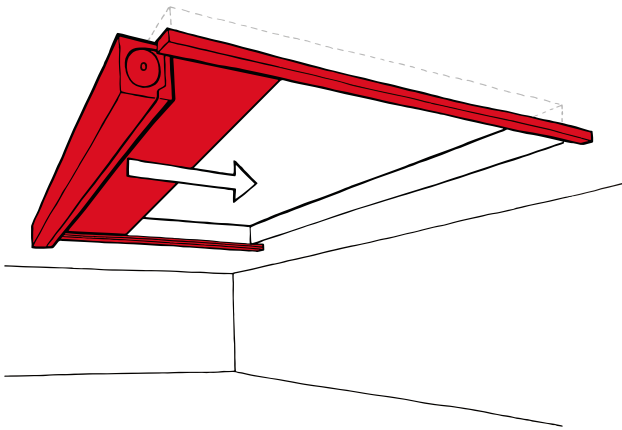


**In ceiling embrasure**

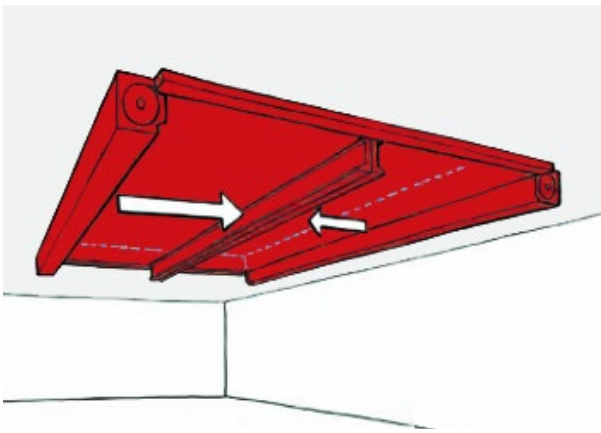


**Below the ceiling**

**PRODUCT DATA SHEET | AUTOMATIC HORIZONTAL SMOKE CURTAIN H & HC | FOR CEILING OPENINGS**



**SMOKE CURTAIN HC - OPENED**



**SMOKE CURTAIN HC TWO-PART - CLOSED**

