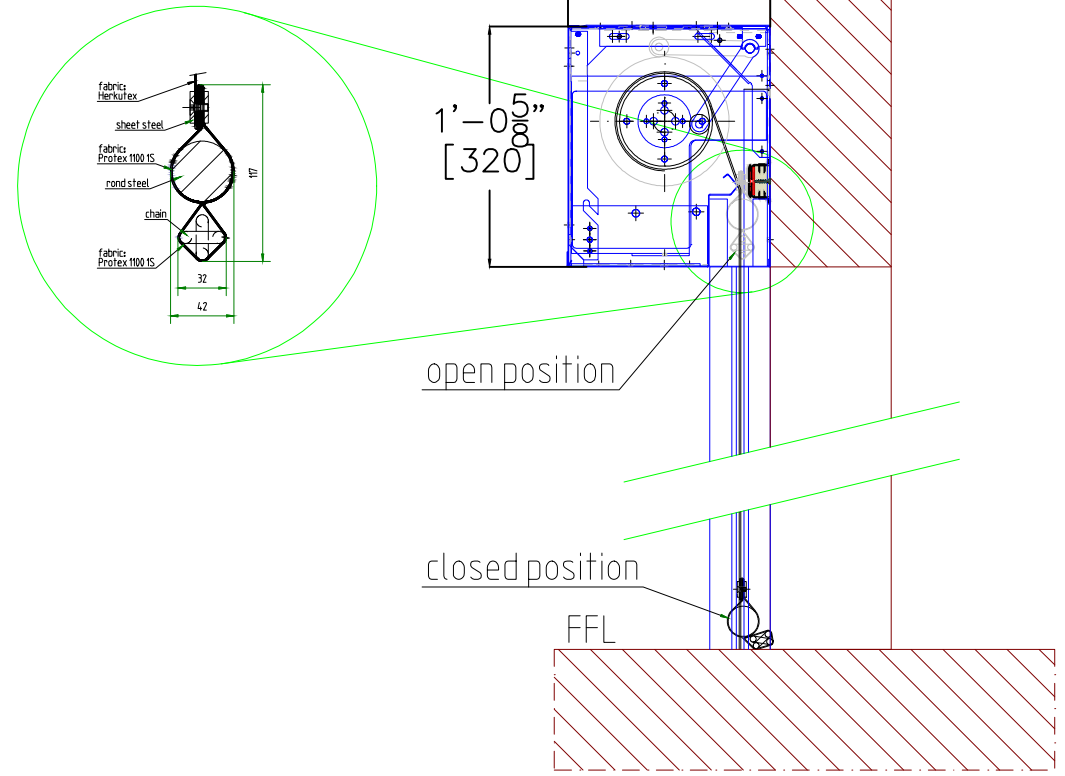
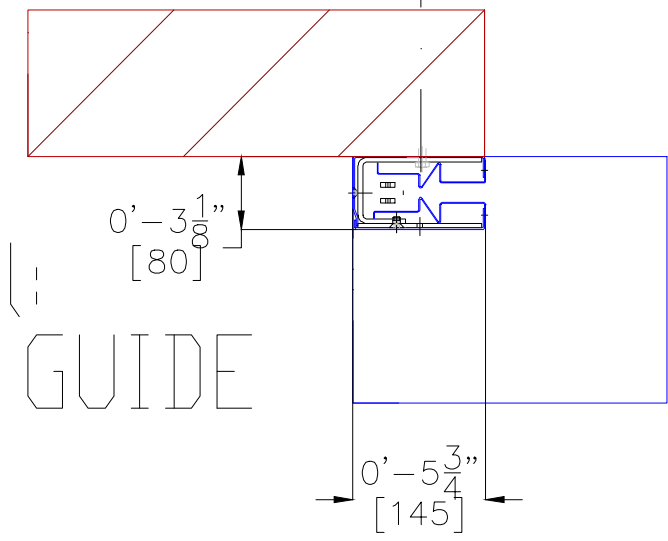


RevNo	Revision note	Date	Signature	Checked


Detail:
Bottom Bar



Detail:
SIDE GUIDE



1. STANDARD HEABOX SIZE	SHOP FINISH:
2. GRAVITY-FAIL-SAFE MOTORIZED RE-OPENING	COMPLETE HEABOX & SIDE GUIDES
3. FIRE RATING UL-10B (120 MINUTES WITH HOSE STREAM TEST)	POWDER COATED
4. STANDARD BOTTOM BAR	RAL 9010 - PURE WHITE
5. STANDARD SIDE GUIDES (IN FRONT OF THE WALL)	
6. WALL MOUNTING	

NOMENCLATURE U/1/SI/WIDTH/HEIGHT/STD/120		QTY: XX UNITS	QUOTE NUMBER: M-XXXX	SCALE DO NOT SCALE
JOB:		 FIRE CURTAIN TECHNOLOGIES Smoke and Fire Curtains 5711 THOMAS ROAD CANANDAIGUA NY 14424 (585) 412-2179 www.firecurtaintechnologies.com		
CUSTOMER:				
CLEAR OPENING: WIDTH [FT-IN] x HEIGHT [FT-IN] [WIDTHmm x HEIGHTmm]	WEIGHT: TBD	FIRE CURTAIN U/120		
DATE: 2021-04-21	DRAWN BY: DAVID GUEVARA	DRAWING NO. 1/1		