

## **ELEVATOR SMOKE CURTAIN GX**

Smoke Protective Curtain for Elevator Doors



The Elevator Smoke Curtain GX is certified and labeled to UL 1784

**AUTOMATIC SMOKE CURTAIN FOR ELEVATOR DOORS WITH A CLEAR TRANSPARENT FABRIC**

# PRODUCT DATA SHEET | ELEVATOR SMOKE CURTAIN CLEAR TRANSPARENT FABRIC

## KEY FEATURES

- Clear transparent fabric
- Magnetic side guides
- Integrated egress switch
- Gravity-Fail safe system
- Deploys on general Alarm
- Works with smoke detector



## CERTIFICATIONS



UL 1784  
UL 864

NFPA 105  
ASTM E84 (CAN/ULC-S102)

Temperature resistance: 649°F/343°C

### ICCRR-1059 Intertek Code Compliance Research Report

in accordance with ICC-ES Acceptance Criteria for Smoke Containment Systems Used with Fire-resistive Elevator Hoistway Doors and Frames (ACC77, Section 3.1.1)

CA Listing California Dept. of Forestry & Fire Protection - OPM-0371-13

Complies with:

- 2012 IBC Section 713.14.1
- 2009 IBC Section 708.14.1
- 2018 IBC Section 3006.1
- 2015 IBC Section 3006.1

## PRODUCT DESCRIPTION

The Smoke Curtain GX is designed to be used in conjunction with fire-rated Elevator Doors from all manufacturers. The system can be installed almost invisibly in suspended ceilings, directly in front of the elevator openings to prevent the spread of smoke via elevator shafts to other levels. In case of a fire, the smoke curtain will then deploy to seal the elevator opening. The design is integrated into the space almost invisibly to create a visually appealing look, allowing the elevator to open directly onto the corridor. The Smoke Curtain GX meets the requirements for smoke protection according to UL1784 and is regulated in the IBC.

## OPERATION

- The Smoke Curtain GX deploys on general fire alarm
- Can also be connected to local smoke detectors
- Will deploy on loss of power

### INTEGRATED EGRESS SWITCH

Elevator curtains allow for egress and access after the system is activated. The Interior egress switch enables elevator occupants to exit from the elevator. The curtain will then redeploy after egress.

### GRAVITY-FAIL SAFE

Drive unit with fail-safe technology allows the curtain to work without auxiliary power

### AUTOMATIC FLAP HOUSING

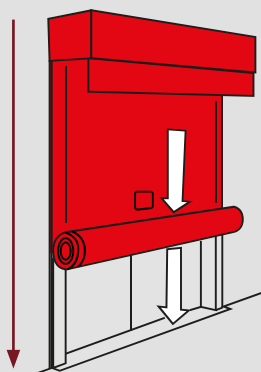
When the power is restored, the curtain will automatically rewind into the housing, and its automatic mechanism will allow the housing flap to open and close automatically

### BATTERY BACK-UP

Additional power pack for up to 20 minutes hold-open time in case of power loss in the building. Within the first 5 minutes of hold-open time, the system can be retracted once, by pushing the re-opening push button without an additional power source.

w: 46", 48", 64" - 120"

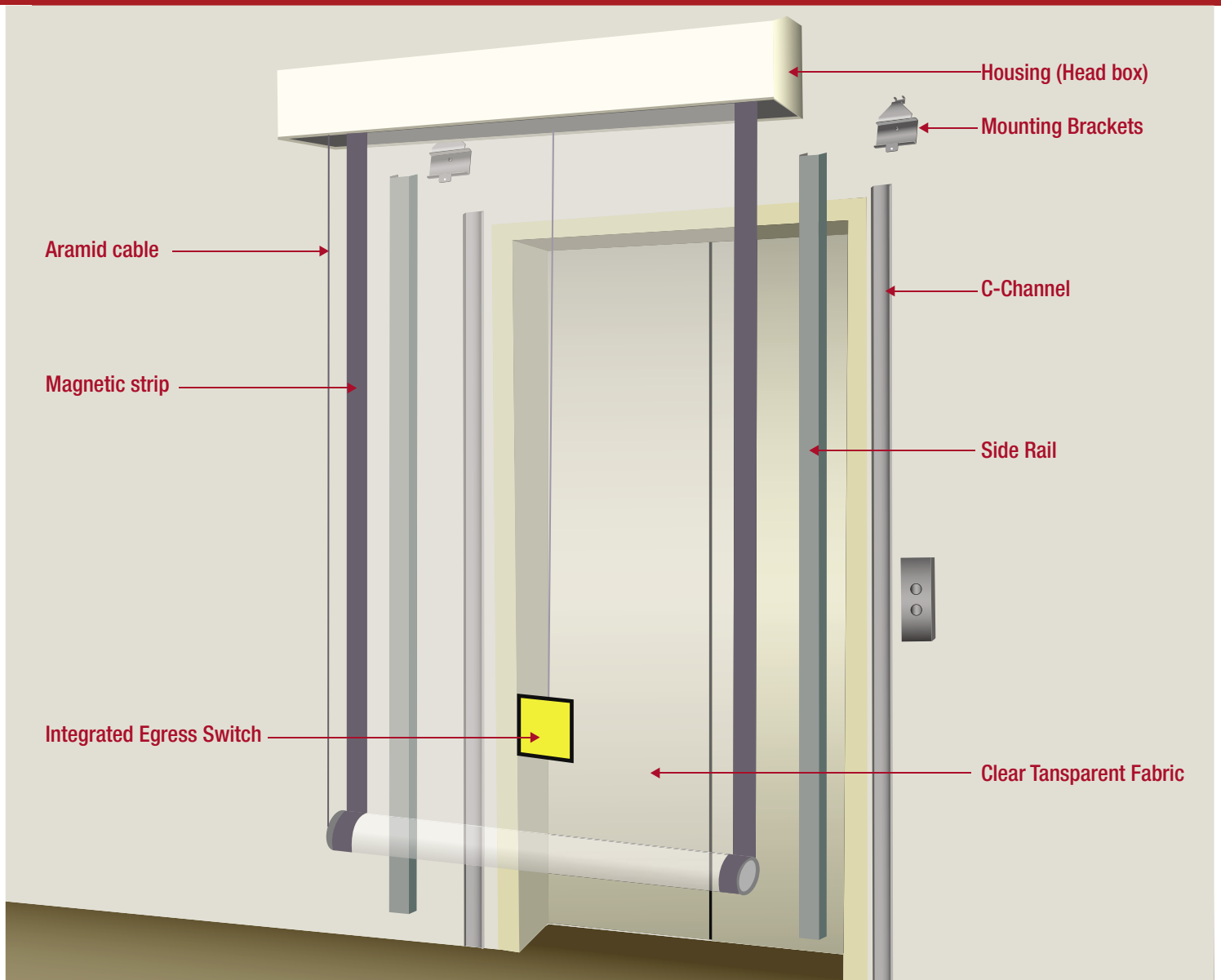
h: 10'



## DIMENSIONS

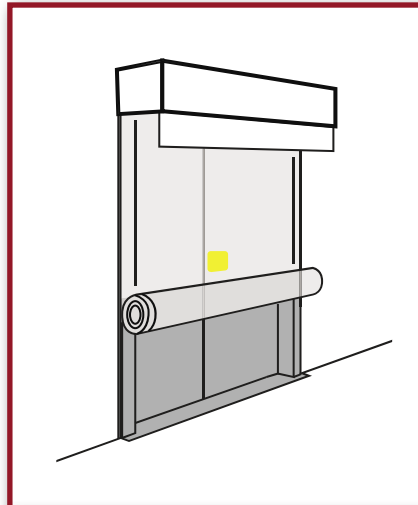
The system is available in standard sizes of 46", 48", 64", and custom sizes, covering openings up to a 10'. The Smoke Curtain GX is tested with dimensions up to 10' x 10'. Oversized designs are also available up to 12' x 12' but require clarification.

**WEIGHT OF THE SYSTEM** 20 lbs per linear foot

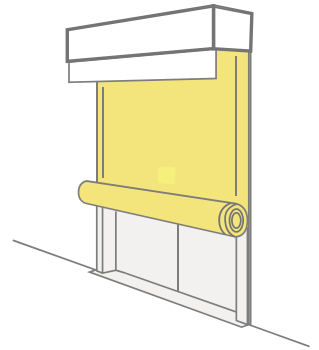


<p><b>MAGNETIC STRIPS</b></p>	<p>2" (w) flexible magnetic strips adhere to ferromagnetic stainless steel auxiliary rails or to a ferromagnetic elevator door frame to create a tight seal. In the event of a loss of power, a force of less than 15 pounds applied to the curtain boundary will push the flexible magnetic strips off the hoistway frame to allow occupant egress.</p>
<p><b>THE CURTAIN FABRIC</b></p>	<p><i>Aperitex</i>, smoke rated, transparent film reinforced with glass fiber mesh  <b>Color:</b> clear      <b>Thickness:</b> 0.006mm (6µm)      <b>Temperature Resistance:</b> 649°F/343°C</p>
<p><b>HOUSING DIMENSIONS</b></p>	<p>9 13/16" (w) x 10 1/4" (h)</p>
<p><b>AUXILIARY RAILS</b></p>	<p>Auxiliary rails are not required if the elevator door frame is ferromagnetic and min. 2" wide.</p>
<p><b>EGRESS SWITCH</b></p>	<p>Re-opening egress buttons are located on both sides of the screen</p>
<p><b>CABLE GUIDES</b></p>	<p>Cables stay in place during manual egress</p>
<p><b>BATTERY BACK-UP</b></p>	<p>Additional power pack for deployment delay <b>up to 20 minutes hold open</b> in case of power loss in the building. Within the first 5 minutes of hold-open time, the system can be retracted once, by pushing the re-opening pushbutton without an additional power source.</p>

**PRODUCT DATA SHEET | ELEVATOR SMOKE CURTAIN CLEAR TRANSPARENT FABRIC**



**ELEVATOR SMOKE CURTAIN  
GX**



**OTHERS**

**Clear Transparent Screen**



**High temperature classification**

**649°F**

**400°F**

**Peek Foil thickness**

**0.006mm (6µm)**

**0.004mm (4µm)**

**Clear Transparent film**



**Film reinforced with glass fiber mesh**



**Deploys on general fire alarm**



**Deploys with loss of power**



**Works with smoke detector**



**Emergency Power Source (Battery back-up included)**



**20 min. hold-open time via battery backup (included)**



**Self-closing trap door**



**Cable guides stay in place during manual egress**



**UL tested Available sizes**

**Width**

**46" 48" 64" -120"**

**55" 64" 73"**

**Height**

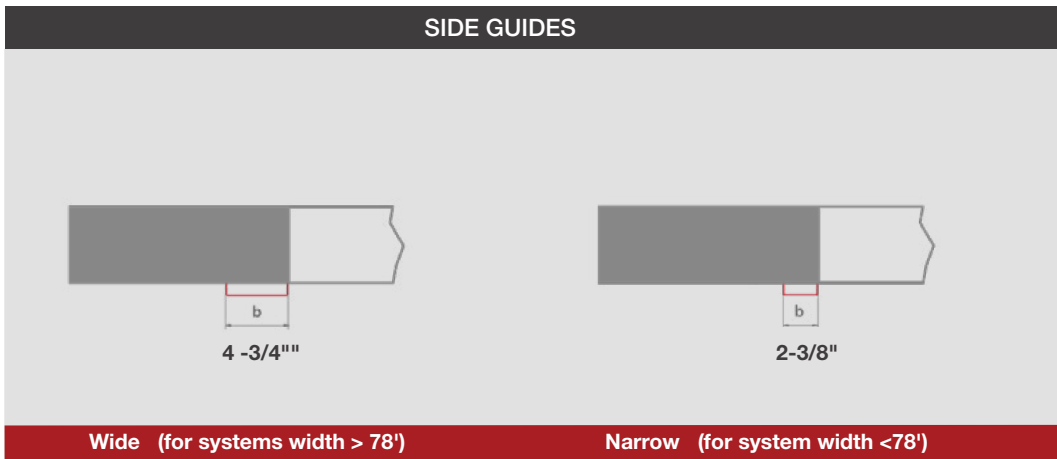
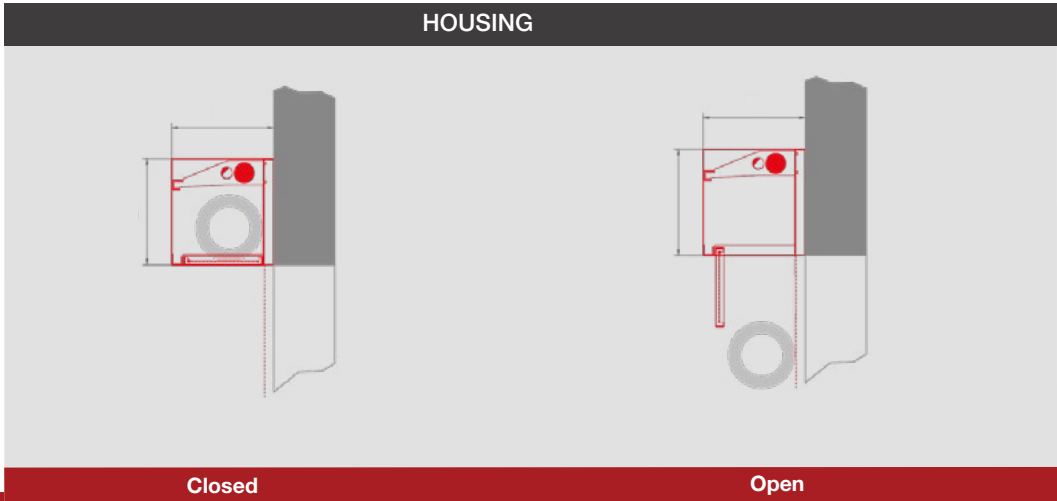
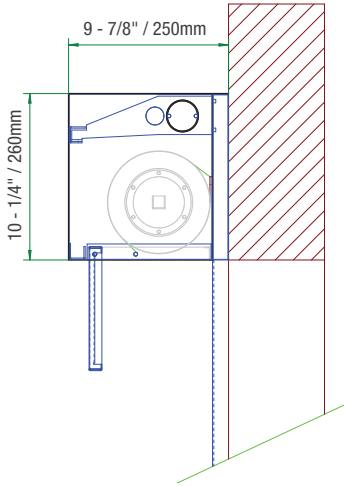
**10'**

**10'**

**Custom Width**



**PRODUCT DATA SHEET | ELEVATOR SMOKE CURTAIN CLEAR TRANSPARENT FABRIC**



# PRODUCT DATA SHEET | ELEVATOR SMOKE CURTAIN CLEAR TRANSPARENT FABRIC

## TECHNICAL DATA SHEET

<b>MOTOR / CONTROL UNIT</b>	
<b>Power supply</b>	120V AC/60Hz, 24V DC integrated in the housing, centered
<b>Battery backup</b>	Additional powerpack for up to 20 minutes hold open time in case of power loss in the building. Within the first 5 minutes of hold-open time the system can be retracted once, by pushing the re-opening pushbutton without an additional power source.
<b>REMARKS</b>	<ul style="list-style-type: none"><li>• automatic reset function after releasing the external fire alarm (permanent power supply is required)</li><li>• <b><u>Requirements prior to the installation, testing and commissioning of the Stoebich electrical components:</u></b>  <b>All wiring must be available and match the Stoebich electrical drawing. Permanent power must be supplied on site. Failure to provide permanent power will interrupt the installation process and intended function of the system.</b>  <b>The Buyer must immediately notify the client as well as Stoebich in writing about unforeseen conditions on the job site (temporary power supply, etc.). All modifications must be agreed upon Stoebich and the Buyer in writing. It is the Buyers responsibility to inform the client about all changes.</b></li></ul>

<b>RE-OPENING PUSHBUTTON</b>	
<b>Position</b>	Sticker button, located on both sides of the curtain
<b>Operation</b>	May be manually activated from both sides of the of the curtain to allow egress and also to rewind the system.
<b>Label</b>	"Press here to open"
<b>REMARKS</b>	Emergency power supply is required and must be provided from building side or the elevator.

### GENERAL NOTES:

The system Stoebich Smoke Curtain GX meets the requirements for smoke protection according to UL1784 and is regulated in the IBC. A fire rating is not provided by the offered smoke curtain. Magnetic steel "Auxiliary Rails" are necessary for the operation of the rolling magnets.

The offered system(s) are the most suitable Stoebich solution for this application. Some components might vary from the provided specifications. The Buyer may need to cross-reference and seek approval from local authorities.

It is the sole responsibility of the Buyer to coordinate all technical clarifications about shop drawings, sub construction and electrical requirements before installation start. The Buyer moreover is responsible for the measurement of clear openings and approval of shop drawings in accordance with Stoebich product specifications.

Before the installation, all wiring and the power supply must be available according to the electrical drawings in accordance with Stoebich specifications. A sound and solid sub construction has to be provided from site by the Buyer.

Stoebich does not offer the service of installation. Installers have to be provided by the Buyer. Stoebich technical consultation is also not included in our quotation. The additional costs for the Stoebich Technical Consultant can be offered upon request. For the service of the Stoebich Technical Consultant we require a separate PO.

Provided Stoebich drawings are confidential and may only be shared for this particular project with the involved authorities and architects only, who are in turn bound by obligations of confidentiality.

Our quotations are based on the currently provided information and subject to our terms of payment and sale.