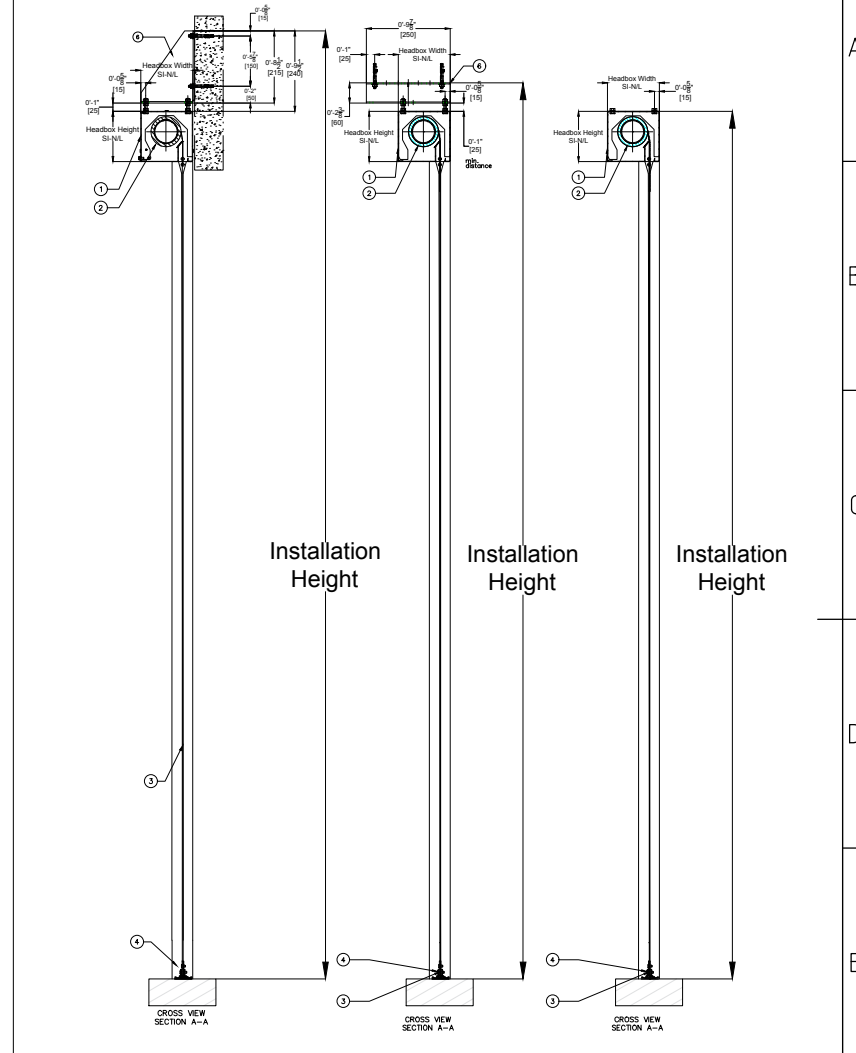


RevNo	Revision note	Date	Signature	Checked



1. SINGLE NORMAL OR LARGE-SIZE HEADBOX, TYPE SI-N	SHOP FINISH:
2. ROLLER BAR WITH GRAVITY DOWN AND 48 VDC DRIVE UP	COMPLETE HEADBOX, SIDE GUIDES & BOTTOM BAR
3. FIRE PROTECTIVE CURTAIN UL10D (60-120 MINUTES)	POLYESTER POWDER COATING SEMI-GLOSS - 70% GLOSS
4. BOTTOM BAR "K"	RAL9010 - PURE WHITE
5. SIDE GUIDES, TYPE "FR"	
6. OPTIONAL WALL OR CEILING MOUNTING BRACKET	

NOMENCLATURE SM5/2/SI/X/G/WIDTH/HEIGHT/1/0/X/K/FR/X/Z/X		QTY: XX UNITS	QUOTE NUMBER: M-XXXX	SCALE DO NOT SCALE
JOB: GENERAL DRAWINGS		FIRE CURTAIN TECHNOLOGIES		
CUSTOMER:				
SIZE: WIDTH x HEIGHT [WIDTHmm x HEIGHTmm]	WEIGHT: TBD	FIRE CURTAIN SM5/D120-DH60-DH120		
DATE: 2021-02-23				
DRAWN BY: DAVID GUEVARA		DRAWING NO. 1/2		

RevNo	Revision note	Date	Signature	Checked

A

A

B

B

C

C

D

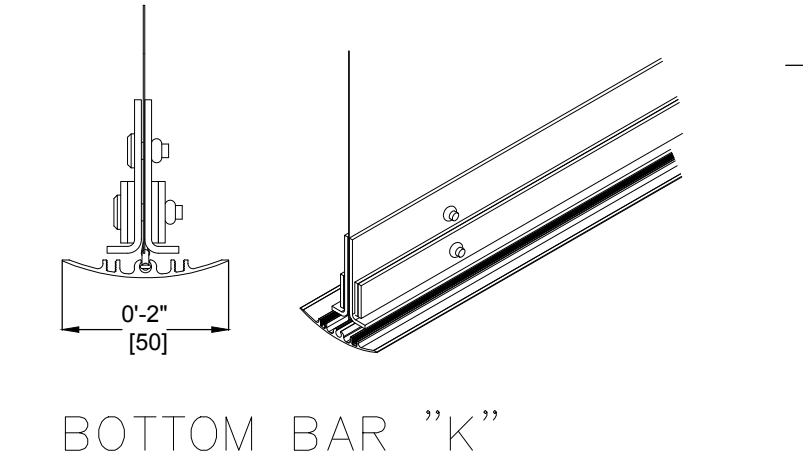
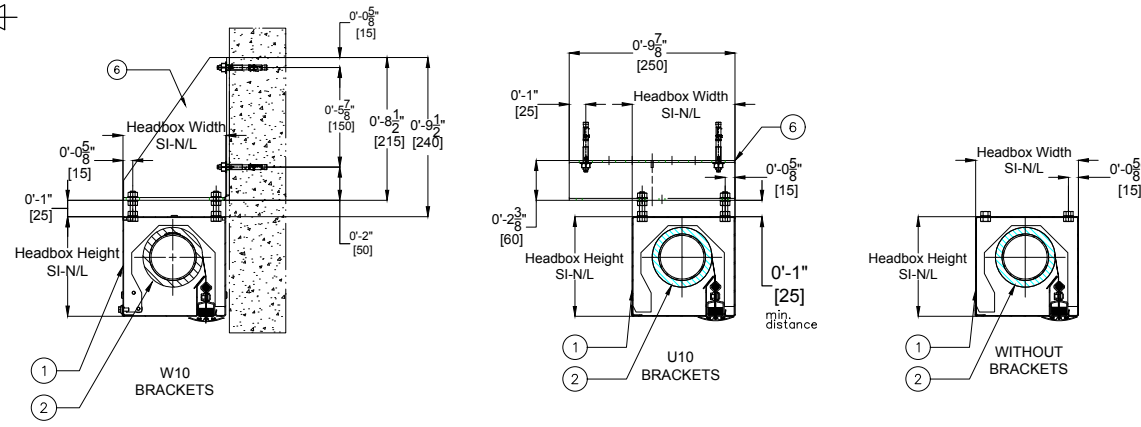
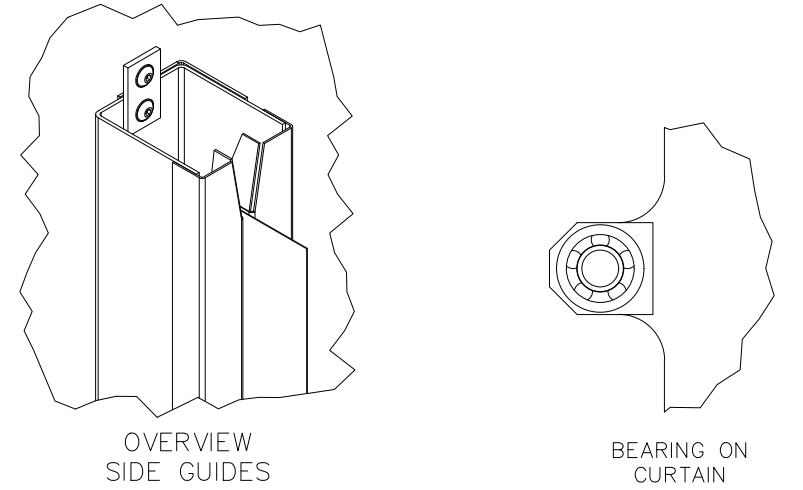
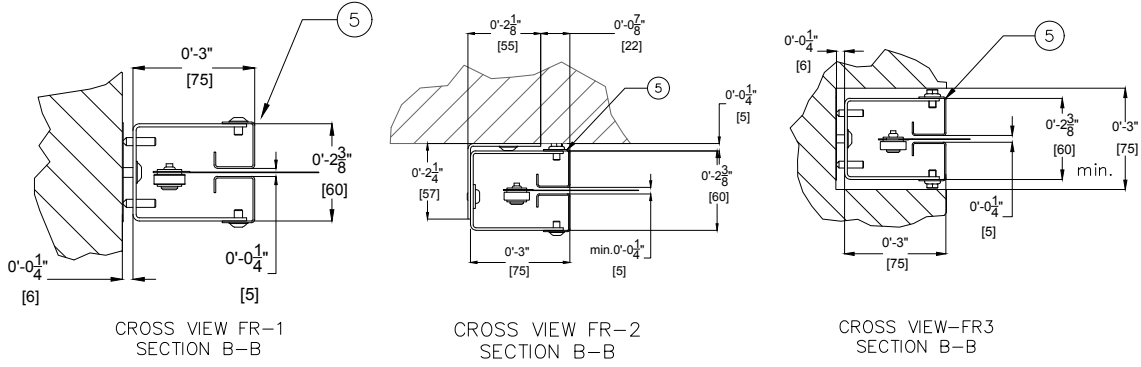
D

E

E

F

F



- 1 SINGLE NORMAL OR LARGE-SIZE HEADBOX, TYPE SI-N
- 2.ROLLER BAR WITH GRAVITY DOWN AND 48 VDC DRIVE UP
- 3.FIRE PROTECTIVE CURTAIN UL10D (60-120 MINUTES)
- 4.BOTTOM BAR "K"
- 5.SIDE GUIDES, TYPE "FR"
- 6. OPTIONAL WALL OR CEILING MOUNTING BRACKET

SHOP FINISH:
 COMPLETE HEADBOX , SIDE GUIDES & BOTTOM BAR
 POLYESTER POWDER COATING SEMI-GLOSS - 70% GLOSS
 RAL9010 - PURE WHITE

NOMENCLATURE SM5/2/SI/X/G/WIDTH/HEIGHT/1/0/X/K/FR/X/Z/X		QTY: XX UNITS	QUOTE NUMBER: M-XXXX	SCALE DO NOT SCALE
JOB: GENERAL DRAWINGS		FIRE CURTAIN TECHNOLOGIES		
CUSTOMER:				
SIZE: WIDTH x HEIGHT [WIDTHmm x HEIGHTmm]	WEIGHT: TBD	FIRE CURTAIN SM5/D120-DH60-DH120		
DATE: 2021-02-23		DRAWING NO.		
DRAWN BY: DAVID GUEVARA		2/2		