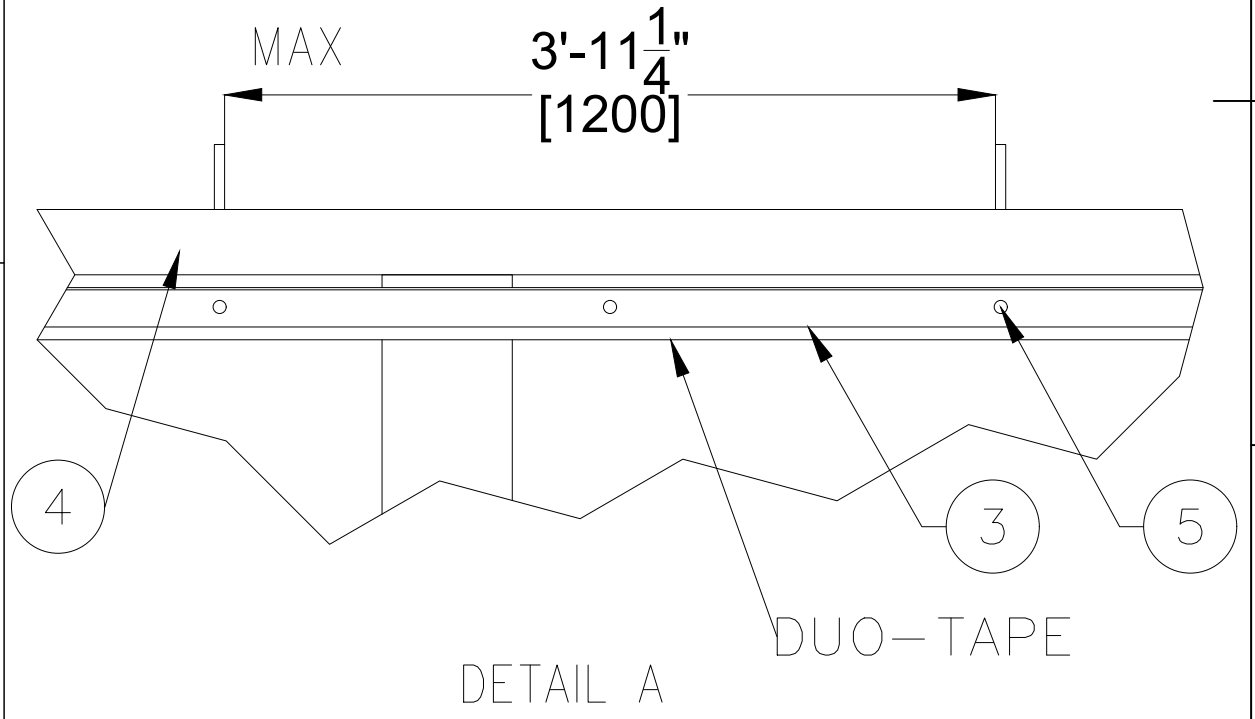
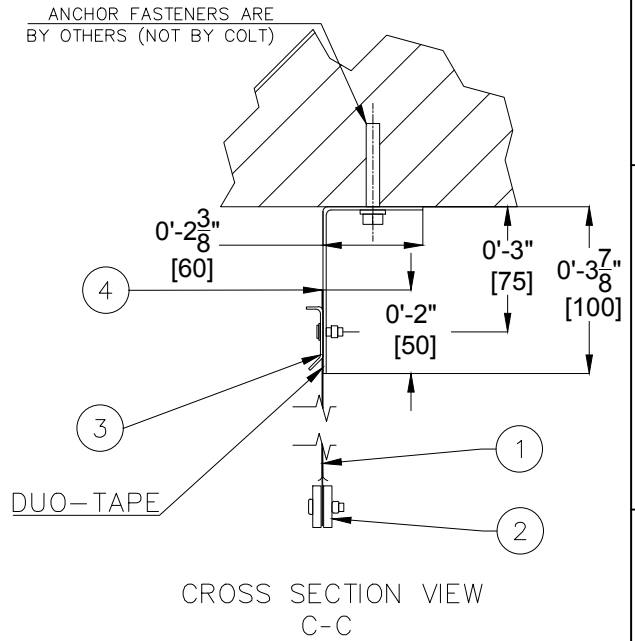
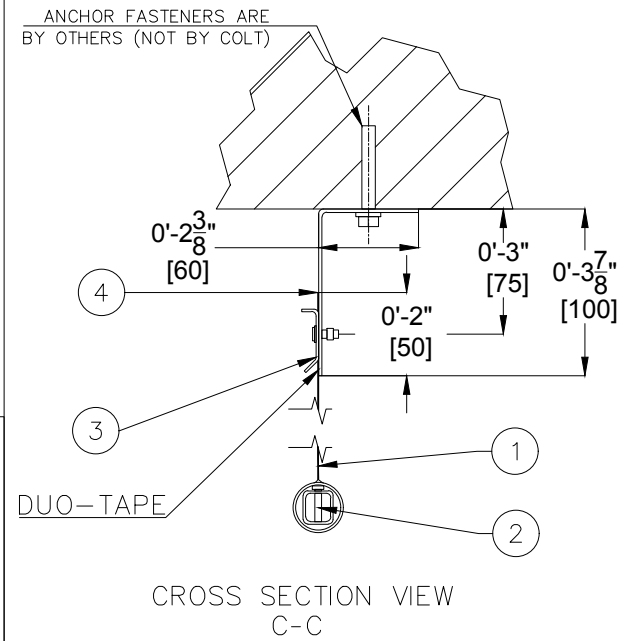


RevNo	Revision note	Date	Signature	Checked



- 1. DRAFT CURTAIN EN 12101-1 (60-120 MINUTES)
- 2. GALVANIZED STEEL ROUND OR FLAT BAR "R-F"
- 3. CLAMP PROFILE KL
- 4. ANGLE PROFLE 60 x 100 mm
- 5. RIVETS 5/10
- 6. OVERLAP 3-7/8" (100 mm)

SHOP FINISH:
N/A

NOMENCLATURE
SM-ST/2/A-B-C/WIDTH/HEIGHT AT RIDGE/HEIGHT AT GUTTER/10/X/X

JOB:

CUSTOMER:

SIZE: WIDTH x HEIGHT AT RIDGE x HEIGHT AT GUTTER
[WIDTH x HEIGHT AT RIDGE x HEIGHT AT GUTTER]mm

WEIGHT:
TBD

DATE: 2021-11-12

DRAWN BY: DAVID GUEVARA

QTY: XX UNITS

QUOTE NUMBER: M-XXXX

SCALE: DO NOT SCALE

FIRE CURTAIN TECHNOLOGIES
Smoke and Fire Curtains

5711 THOMAS ROAD
CANANDAIGUA, NY 14424
(585) 412-2179
www.firecurtaintechnologies.com

SMOKE CURTAIN
SM-ST/D120-DH60-DH120

DRAWING NO.
1/1