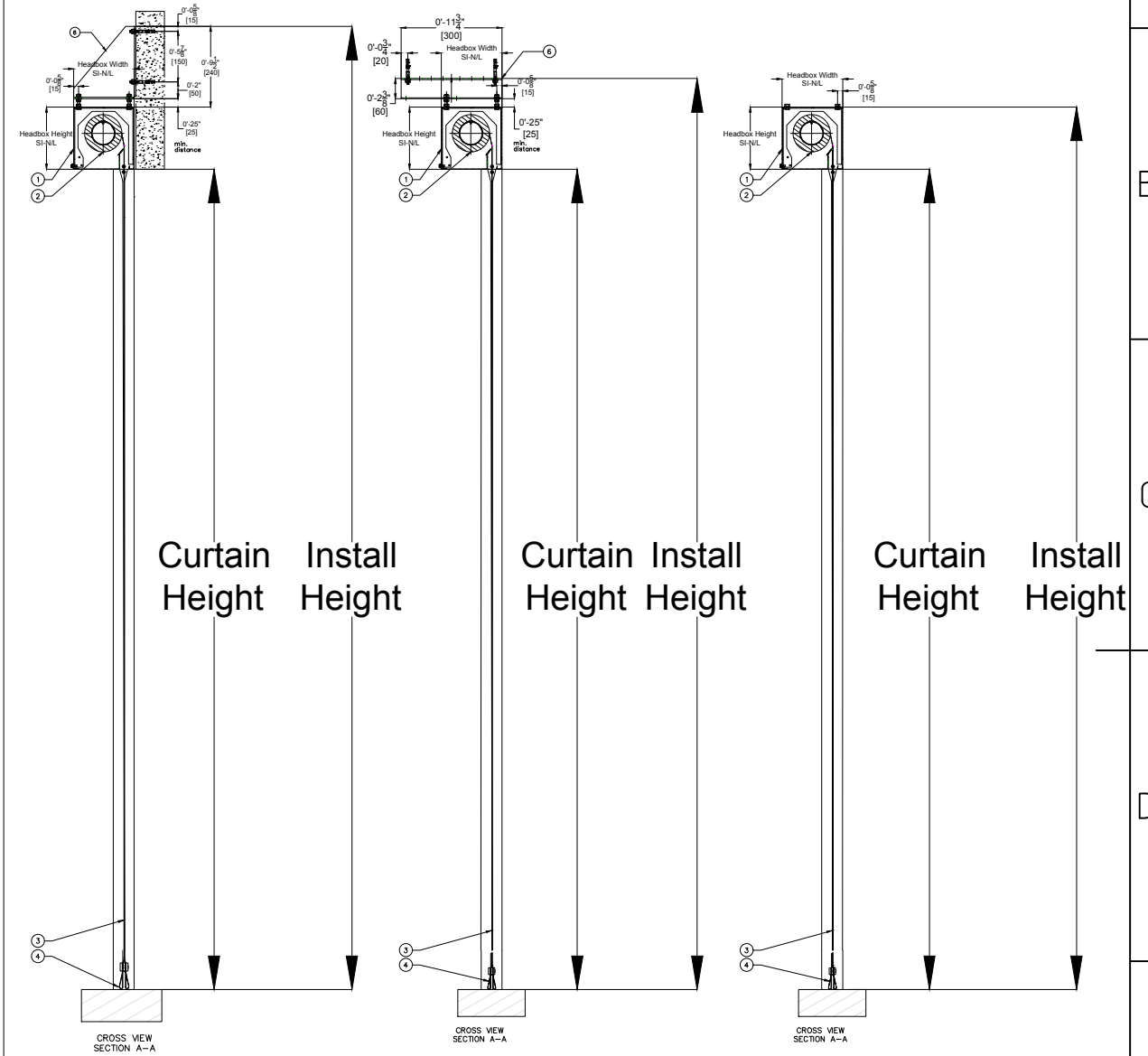


RevNo	Revision note	Date	Signature	Checked



- 1. SINGLE LARGE-SIZE HEADBOX, TYPE SI-L
- 2. ROLLER BAR WITH GRAVITY DOWN AND 48 VDC DRIVE UP
- 3. SMOKE-SEALED CURTAIN UL10D+UL1784 (60-180 MINUTES)
- 4. SMOKE-SEALED BOTTOM BAR "DP"
- 5. SIDE GUIDES, TYPE "FD"
- 6. OPTIONAL WALL OR CEILING MOUNTING BRACKETS

- SHOP FINISH:
- COMPLETE HEADBOX, SIDE GUIDES & BOTTOM BAR
 - POLYESTER POWDER COATING SEMI-GLOSS - 70% GLOSS
 - RAL9010 - PURE WHITE

NOMENCLATURE
SD/1/SI/X/G/WIDTH/HEIGHT/1/0/X/DP/FD/X/Z/X

JOB: GENERIC DRAWINGS

CUSTOMER:

SIZE: WIDTH x HEIGHT
[WIDTHmm x HEIGHTmm]

WEIGHT: TBD

DATE: 2021-04-29

DRAWN BY: DAVID GUEVARA

QTY: XX UNITS

QUOTE NUMBER: M-XXXX

SCALE: DO NOT SCALE

FIRE CURTAIN TECHNOLOGIES
Smoke and Fire Curtains
FIRE CURTAIN TECHNOLOGIES
CANANDAIGUA, NY 14424
(585) 412-2179
www.firecurtaintechnologies.com

SMOKE CURTAIN
SD/60-180

DRAWING NO. 1/2

1 2 3 4 5 6 7 8

RevNo	Revision note	Date	Signature	Checked

A

B

C

D

E

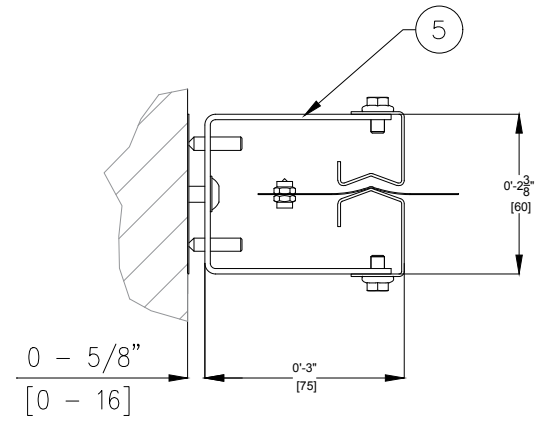
A

B

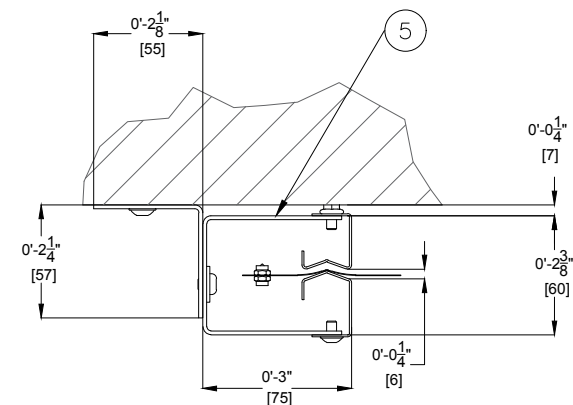
C

D

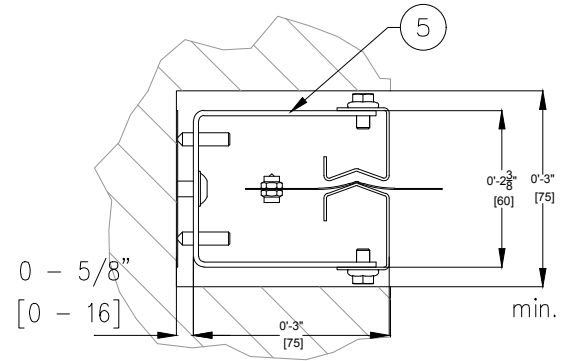
E



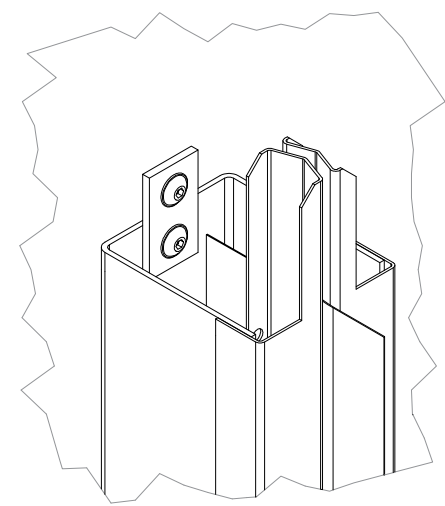
CROSS SECTION FD-1
VIEW B-B



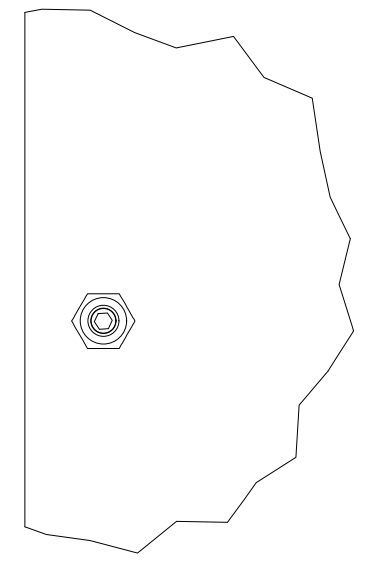
CROSS SECTION FD-2
SECTION B-B



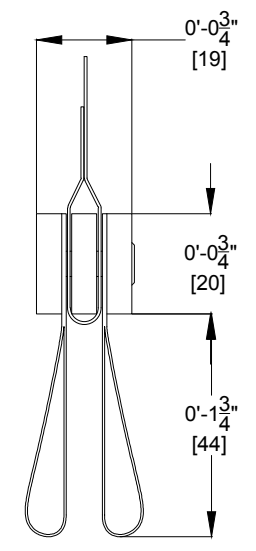
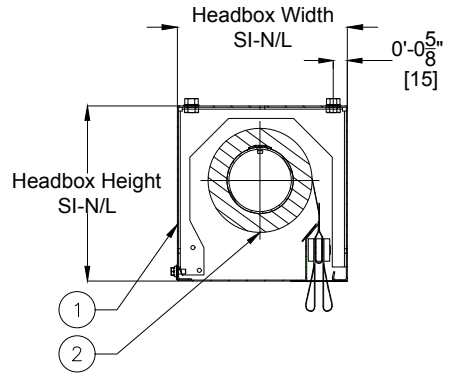
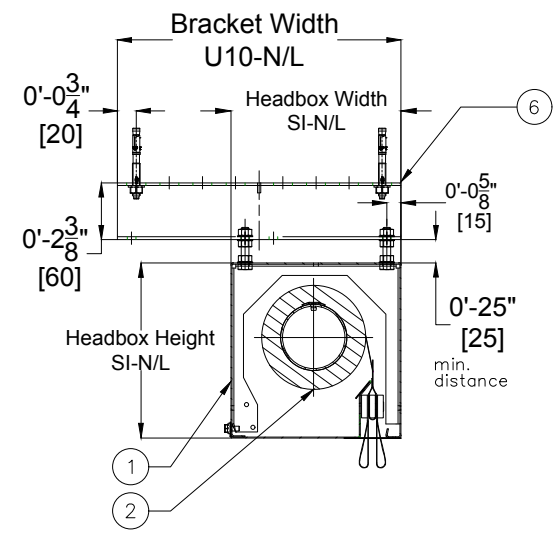
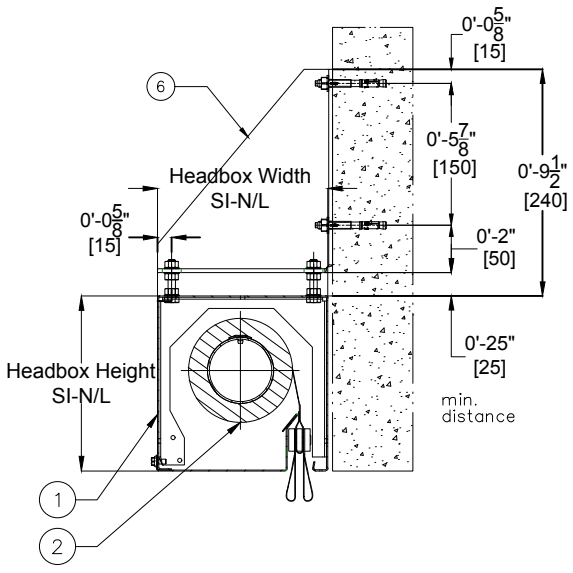
CROSS SECTION FD-3
VIEW B-B



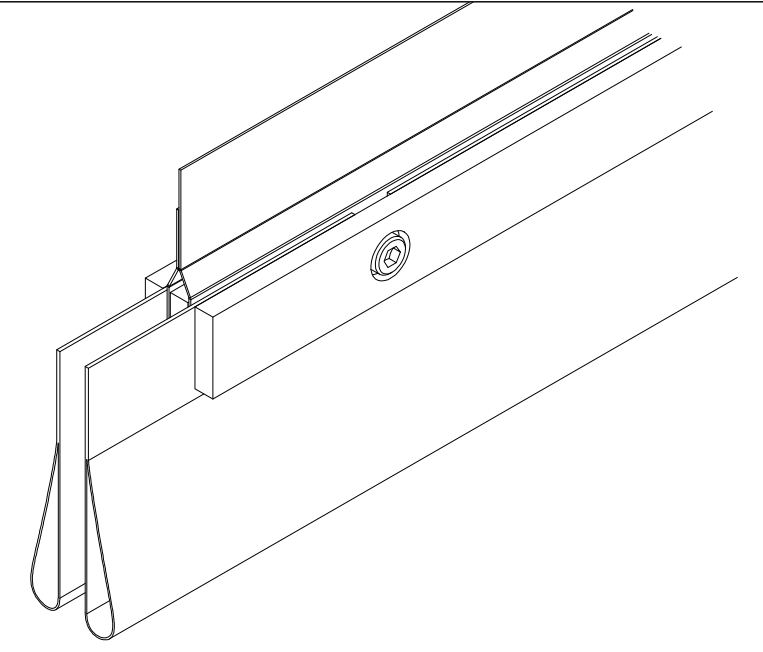
OVERVIEW
SIDE GUIDES



PIN ON CURTAIN



BOTTOM BAR "DP"




F

F

1. SINGLE LARGE-SIZE HEADBOX, TYPE SI-L	SHOP FINISH:
2. ROLLER BAR WITH GRAVITY DOWN AND 48 VDC DRIVE UP	COMPLETE HEADBOX, SIDE GUIDES & BOTTOM BAR
3. SMOKE-SEALED CURTAIN UL10D+UL1784 (60-180 MINUTES)	POLYESTER POWDER COATING SEMI-GLOSS - 70% GLOSS
4. SMOKE-SEALED BOTTOM BAR "DP"	RAL9010 - PURE WHITE
5. SIDE GUIDES, TYPE "FD"	
6. OPTIONAL WALL OR CEILING MOUNTING BRACKETS	

SD/1/SI/X/G/WIDTH/HEIGHT/1/0/X/DP/FD/X/Z/X	QTY: XX UNITS	QUOTE NUMBER: M-XXXX	SCALE: DO NOT SCALE
JOB: GENERIC DRAWINGS	CUSTOMER:		
SIZE: WIDTH x HEIGHT [WIDTHmm x HEIGHTmm]	WEIGHT: TBD	SMOKE CURTAIN SD/60-180	
DATE: 2021-11-12	DRAWING NO. 2/2		
DRAWN BY: DAVID GUEVARA			

NOMENCLATURE		QTY:	QUOTE NUMBER:	SCALE
SD/1/SI/X/G/WIDTH/HEIGHT/1/0/X/DP/FD/X/Z/X		XX UNITS	M-XXXX	DO NOT SCALE
JOB: GENERIC DRAWINGS		CUSTOMER:		
CUSTOMER:		 5711 THOMAS ROAD CANANDAIGUA, NY 14424 (585) 412-2179 www.firecurtaintechnologies.com		
SIZE: WIDTH x HEIGHT [WIDTHmm x HEIGHTmm]	WEIGHT: TBD	SMOKE CURTAIN SD/60-180		
DATE: 2021-11-12	DRAWING NO. 2/2			
DRAWN BY: DAVID GUEVARA				

1 2 3 4 5 6 7 8