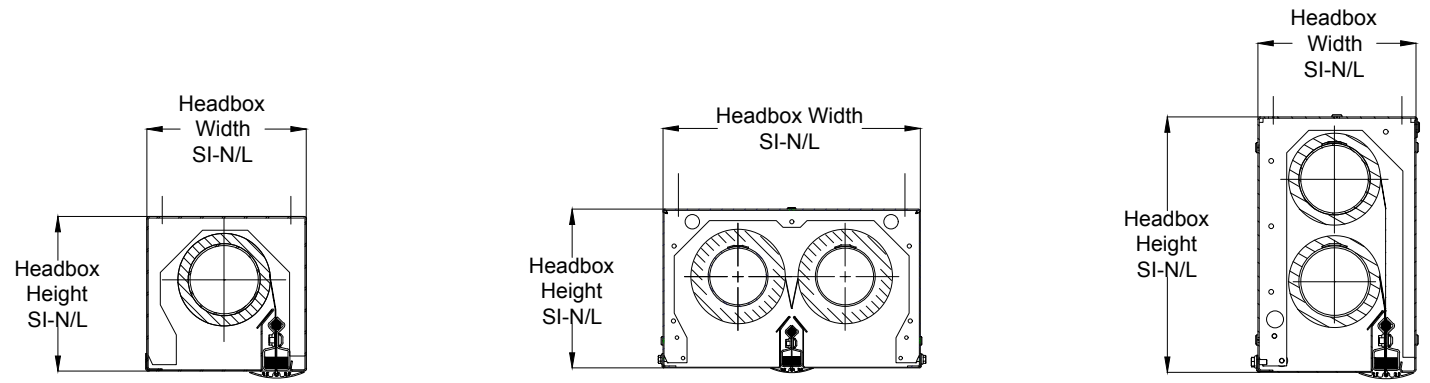
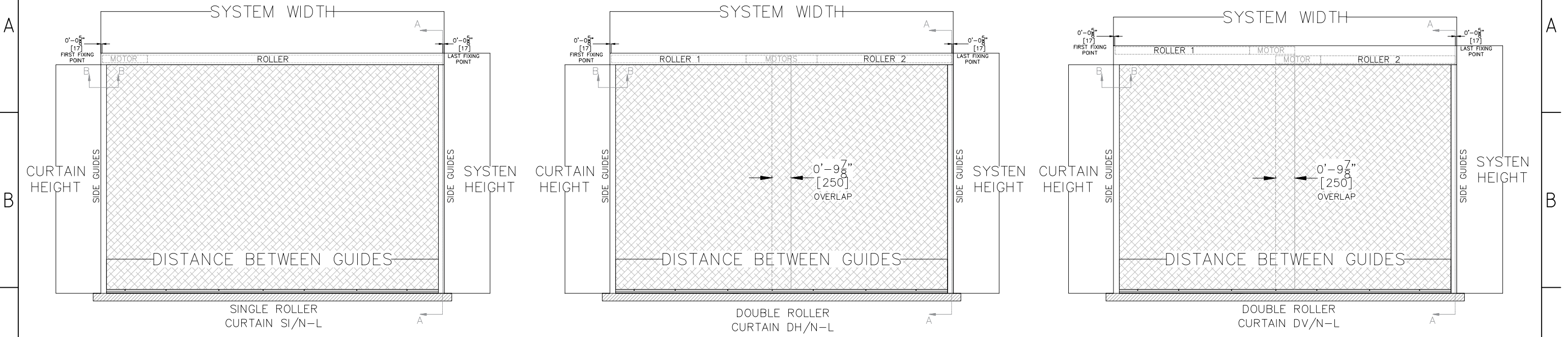


RevNo	Revision note	Date	Signature	Checked



HEADBOX DIMENSIONS

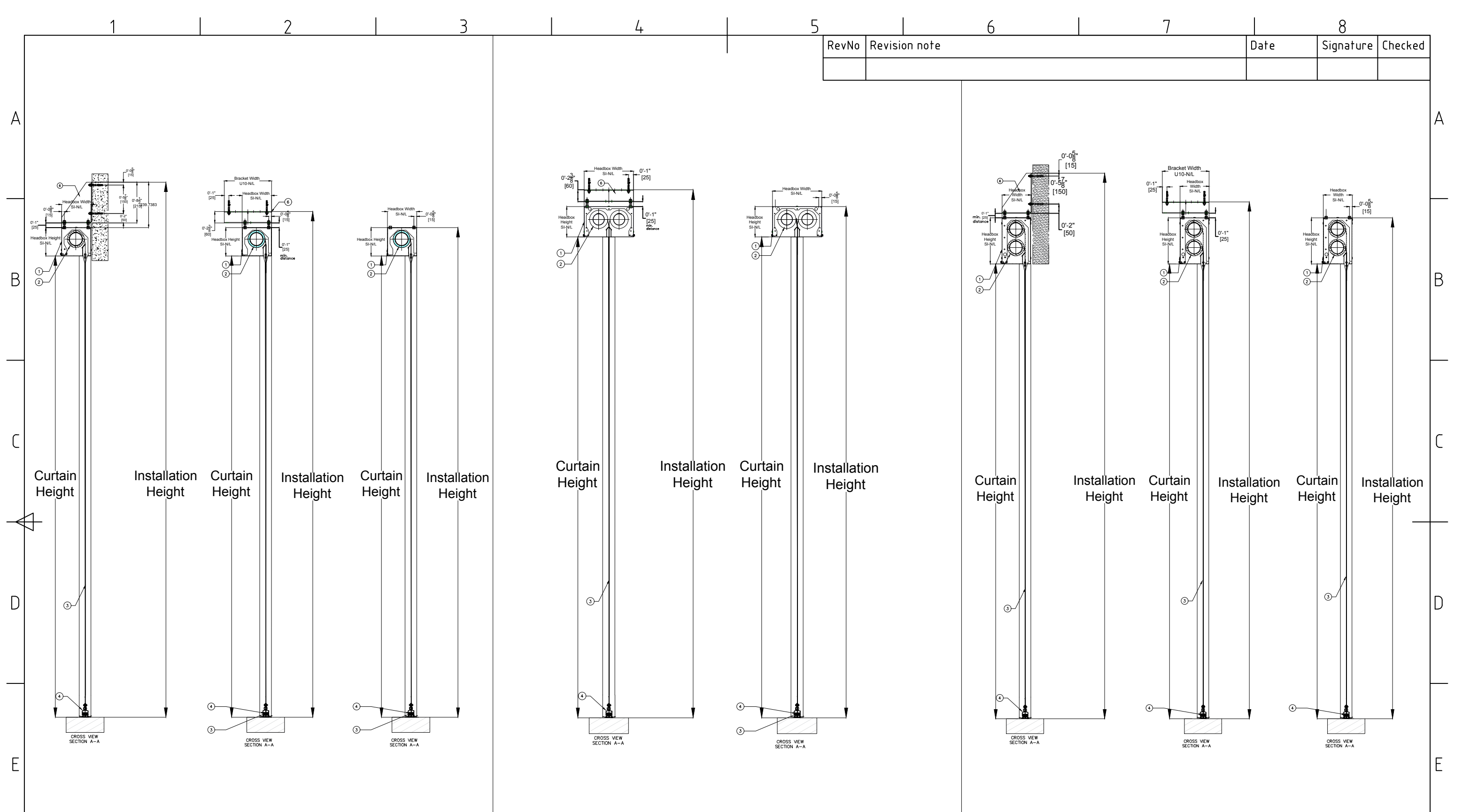
UL HEADBOX FA/60	SINGLE ROLLER HEADBOX (MAX WIDTH 14' - 9 1/8")		DOUBLE HORIZONTAL HEADBOX (MAX WIDTH 59' - 0 5/8")		DOUBLE VERTICAL HEADBOX (MAX WIDTH 59' - 0 5/8")	
CURTAIN DROP	WIDTH	HEIGHT	WIDTH	HEIGHT	WIDTH	HEIGHT
UP TO 9'-10 1/8"	0' - 6 1/8"	0' - 5 7/8"	0' - 9 7/8"	0' - 5 7/8"	0' - 5 7/8"	0' - 9 7/8"
9'-10 1/8" - 19'-8 1/4"	0' - 7 1/8"	0' - 7 1/4"	0' - 11 3/4"	0' - 7 1/4"	0' - 7 1/4"	0' - 11 3/4"

HEADBOX DIMENSIONS

UL HEADBOX FA/180	SINGLE ROLLER HEADBOX (MAX WIDTH 14' - 9 1/8")		DOUBLE HORIZONTAL HEADBOX (MAX WIDTH 59' - 0 5/8")		DOUBLE VERTICAL HEADBOX (MAX WIDTH 59' - 0 5/8")	
CURTAIN DROP	WIDTH	HEIGHT	WIDTH	HEIGHT	WIDTH	HEIGHT
UP TO 9'-0 1/4"	0' - 6 1/8"	0' - 5 7/8"	0' - 9 7/8"	0' - 5 7/8"	0' - 5 7/8"	0' - 9 7/8"
9'-0 1/4" - 18'-0 1/2"	0' - 7 1/8"	0' - 7 1/4"	0' - 11 3/4"	0' - 7 1/4"	0' - 7 1/4"	0' - 11 3/4"


1. SINGLE NORMAL OR LARGE-SIZE HEADBOX, TYPE SI-N		SHOP FINISH:		NOMENCLATURE FA/1/SI/X/G/WIDTH/HEIGHT/1/0/X/BK/FR/X/Z/X		QTY: XX UNITS	QUOTE NUMBER: M-XXXX	SCALE DO NOT SCALE
2. ROLLER BAR WITH GRAVITY DOWN AND 48 VDC DRIVE UP		COMPLETE HEADBOX, SIDE GUIDES & BOTTOM BAR		JOB: GENERAL DRAWINGS		5711 THOMAS ROAD CANANDAIGUA, NY 14424 (585) 412-2179 www.firecurtaintechnologies.com		
3. FIRE PROTECTIVE CURTAIN UL10D (60-180 MINUTES)		POLYESTER POWDER COATING SEMI-GLOSS - 70% GLOSS		CUSTOMER:				
4. BOTTOM BAR "BK"		RAL9010 - PURE WHITE		SIZE: WIDTH x HEIGHT [WIDTHmm x HEIGHTmm]		WEIGHT: 168 LBS / 76 KGS		FIRE CURTAIN FA/60-180
5. SIDE GUIDES, TYPE "FR"				DATE: 2021-11-12		DRAWING NO. 1/4		
6. OPTIONAL WALL OR CEILING MOUNTING BRACKET				DRAWN BY: DAVID GUEVARA				

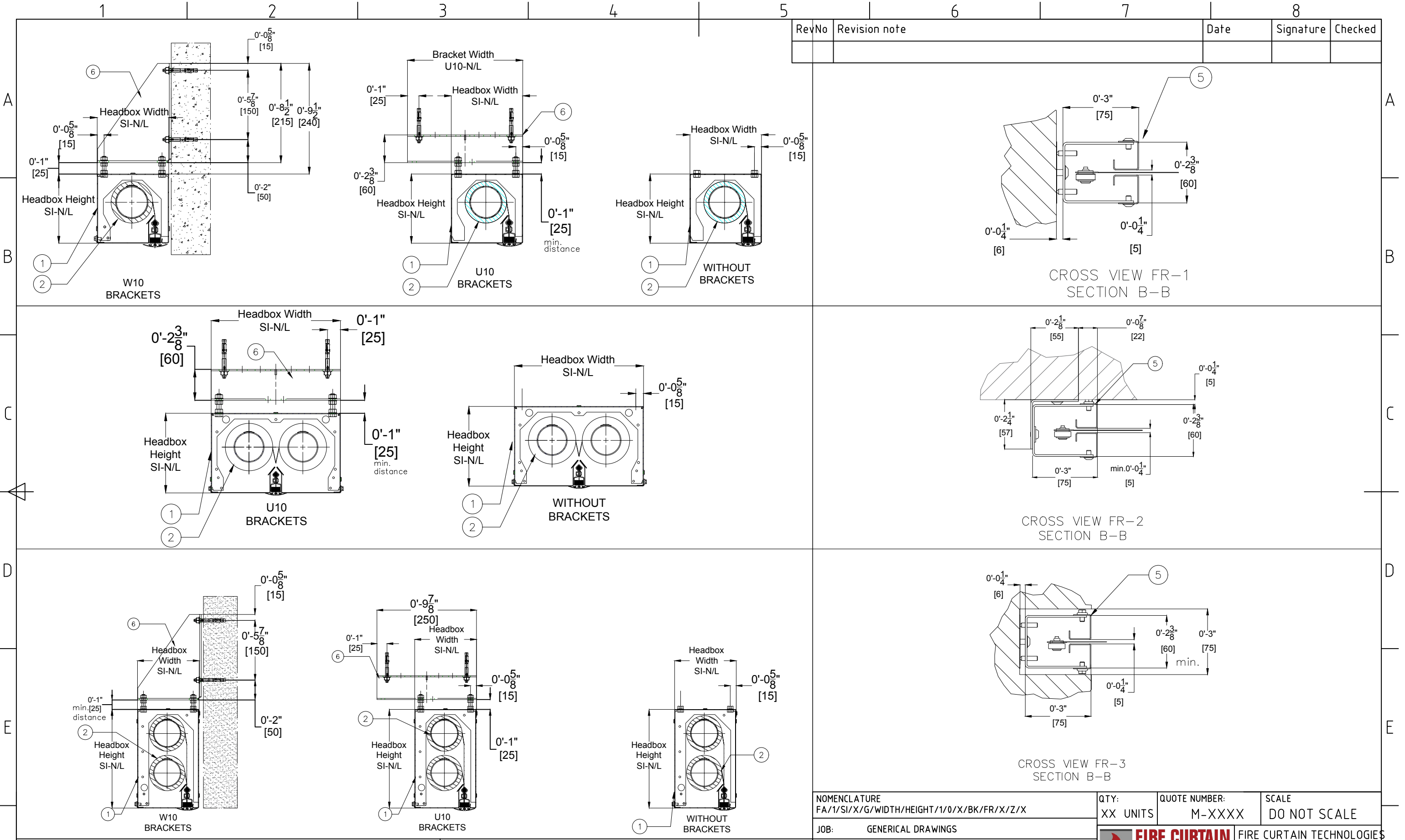
RevNo	Revision note	Date	Signature	Checked



- 1. SINGLE NORMAL OR LARGE-SIZE HEADBOX, TYPE SI-N
- 2. ROLLER BAR WITH GRAVITY DOWN AND 48 VDC DRIVE UP
- 3. FIRE PROTECTIVE CURTAIN UL10D (60-180 MINUTES)
- 4. BOTTOM BAR "BK"
- 5. SIDE GUIDES, TYPE "FR"
- 6. OPTIONAL WALL OR CEILING MOUNTING BRACKET

SHOP FINISH:
 COMPLETE HEADBOX, SIDE GUIDES & BOTTOM BAR
 POLYESTER POWDER COATING SEMI-GLOSS - 70% GLOSS
 RAL9010 - PURE WHITE

NOMENCLATURE FA/1/SI/X/G/WIDTH/HEIGHT/1/0/X/BK/FR/X/Z/X		QTY: XX UNITS	QUOTE NUMBER: M-XXXX	SCALE DO NOT SCALE
JOB: GENERAL DRAWINGS		 FIRE CURTAIN TECHNOLOGIES CANANDAIGUA, NY 14424 (585) 412-2179 www.firecurtaintechnologies.com		
CUSTOMER:				
SIZE: WIDTH x HEIGHT [WIDTHmm x HEIGHTmm]	WEIGHT: 168 LBS / 76 KGS	FIRE CURTAIN FA/60-180		
DATE: 2021-11-12	DRAWN BY: DAVID GUEVARA	DRAWING NO. 2/4		

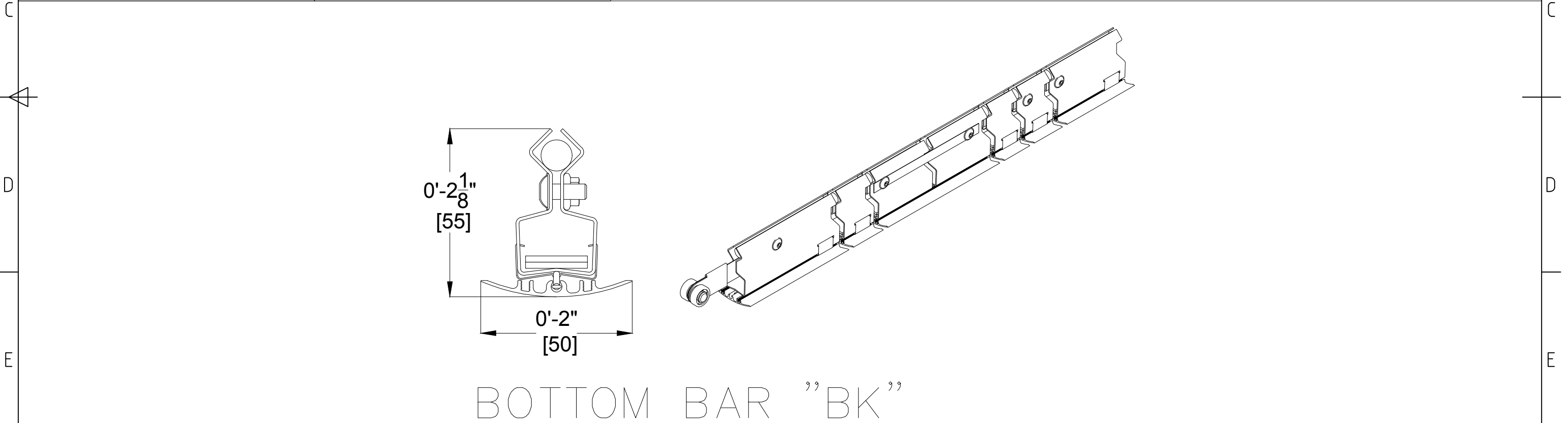
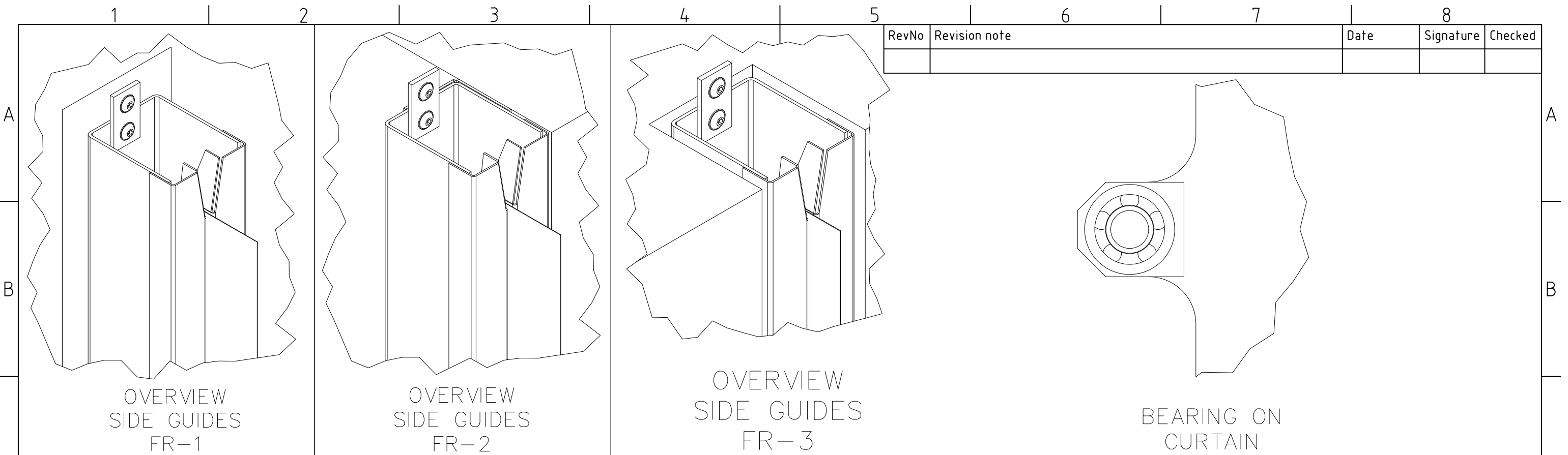



RevNo	Revision note	Date	Signature	Checked

- 1. SINGLE NORMAL OR LARGE-SIZE HEADBOX, TYPE SI-N
- 2. ROLLER BAR WITH GRAVITY DOWN AND 48 VDC DRIVE UP
- 3. FIRE PROTECTIVE CURTAIN UL10D (60-180 MINUTES)
- 4. BOTTOM BAR "BK"
- 5. SIDE GUIDES, TYPE "FR"
- 6. OPTIONAL WALL OR CEILING MOUNTING BRACKET

SHOP FINISH:
 COMPLETE HEADBOX, SIDE GUIDES & BOTTOM BAR
 POLYESTER POWDER COATING SEMI-GLOSS - 70% GLOSS
 RAL9010 - PURE WHITE

NOMENCLATURE FA/1/SI/X/G/WIDTH/HEIGHT/1/0/X/BK/FR/X/Z/X		QTY: XX UNITS	QUOTE NUMBER: M-XXXX	SCALE DO NOT SCALE
JOB: GENERAL DRAWINGS		FIRE CURTAIN TECHNOLOGIES CANANDAIGUA, NY 14424 (585) 412-2179 www.firecurtaintechnologies.com		
CUSTOMER:				
SIZE: WIDTH x HEIGHT [WIDTHmm x HEIGHTmm]	WEIGHT: 168 LBS / 76 KGS	FIRE CURTAIN FA/60-180		
DATE: 2021-11-12	DRAWN BY: DAVID GUEVARA	DRAWING NO. 3/4		



1. SINGLE NORMAL OR LARGE-SIZE HEADBOX, TYPE SI-N		SHOP FINISH:		NOMENCLATURE FA/1/SI/X/G/WIDTH/HEIGHT/1/0/X/BK/FR/X/Z/X		QTY: XX UNITS		QUOTE NUMBER: M-XXXX		SCALE DO NOT SCALE	
2. ROLLER BAR WITH GRAVITY DOWN AND 48 VDC DRIVE UP		COMPLETE HEADBOX, SIDE GUIDES & BOTTOM BAR		JOB: GENERAL DRAWINGS		CUSTOMER:		 FIRE CURTAIN TECHNOLOGIES Smoke and Fire Curtains		FIRE CURTAIN TECHNOLOGIES CANANDAIGUA, NY 14424 (585) 412-2179 www.firecurtaintechnologies.com	
3. FIRE PROTECTIVE CURTAIN UL10D (60-180 MINUTES)		POLYESTER POWDER COATING SEMI-GLOSS - 70% GLOSS		SIZE: WIDTH x HEIGHT [WIDTHmm x HEIGHTmm]		WEIGHT: 168 LBS / 76 KGS		FIRE CURTAIN FA/60-180			
4. BOTTOM BAR "BK"		RAL9010 - PURE WHITE		DATE: 2021-11-12		DRAWING NO.		4 / 4			
5. SIDE GUIDES, TYPE "FR"				DRAWN BY: DAVID GUEVARA							
6. OPTIONAL WALL OR CEILING MOUNTING BRACKET											

1 2 3 4 5 6 7 8