



**FIRE CURTAIN
TECHNOLOGIES**

Smoke and Fire Curtains

AUTOMATIC SMOKE AND FIRE CURTAIN

FIRE PROTECTIVE SMOKE CURTAIN

The Automatic fire protective smoke curtain with integrated smoke seals prevents fire and smoke from transferring from one part of a building to another. It operates automatically when interfaced with the building fire alarm system.

APPLICATIONS:

Fire protective smoke curtains are used in all industrial and commercial buildings, e.g. shopping centres, office buildings, lift landing lobby, atria, etc.

The Fire Protective Smoke Curtain FAS is certified and labeled to UL 10D and UL 1784.

Fire resistance

60 / 180 minutes

PRODUCT DATA SHEET | FIRE PROTECTIVE SMOKE CURTAIN FAS

KEY FEATURES



Tested by UL in accordance with **UL 10D & UL 1784**

Fire rating:

1 hour - 1700°F Glass fabric

3 hour - 1920°F Glass fabric with coating and stainless-steel inlay

Materials class: **A2-s1, d0**

FD PIN SIDE GUIDES with integrated seals

Manufactured in Germany by **COLT GROUP INTERNATIONAL** in accordance with ISO 9001:2008



	Housing type	Classification	Width	Height
DIMENSIONS	DV/DH-N Multi unit	60 minutes	13.5	19.5
	DV/DH-L Multi unit	180 minutes	13.5	19.5

PRODUCT DESCRIPTION

The Fire Protective Smoke Curtain SD is an automatic, gravity-drop barrier with integrated seals that prevent fire and smoke from transferring from one part of a building to another.

The curtain consists of a roller covered with a fiberglass fabric which is incorporated into a galvanized steel housing.

The roller unit incorporates a motor, planetary gearbox, and control electronics with a microprocessor. The microprocessor monitors the resting position when rolled up and independently regulates the closing speed to a maximum of 0,15 m/s (6in / sec).

The housing is equipped with specially developed reinforced brackets, that maintain integrity at high temperatures.

The bottom of the housing is closed off with a panel that allows the entire length of the system to be accessed.

The system is equipped with FD side guides. Their special smoke sealing design ensures that the required compartmentalization is achieved and maintained.

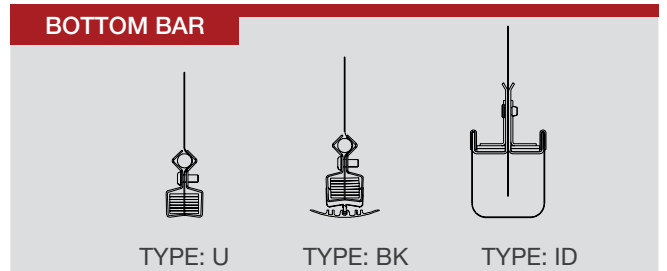
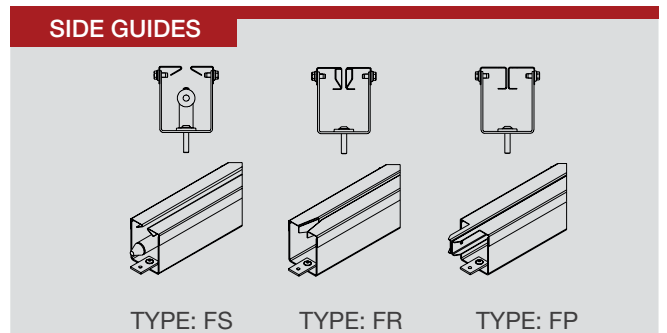
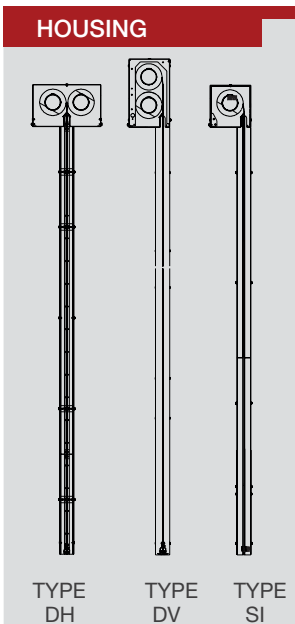
There are no visible fasteners either on the underside of the housing or on the front of the side guides.

A bottom bar is attached to the bottom of the curtain and serves to ensure that the curtain operates as designed and also that it remains stable when unrolling.

The curtain **headbox and side guides** can be polyester powder coated in all RAL colors.

The bottom bar makes contact with the floor when the curtain is deployed, creating a smoke-tight seal with the building structure.

The fabric is silver grey and can be printed with custom signage per customer request. The unit can be configured with mounting brackets either for wall or ceiling mounting.



1

Self-Perform

Fire Curtain Technologies:

- Provides installation and technique guides.
- Supports customer by email and teleconference.



2

Outside Contractor

Fire Curtain Technologies:

- Provides installation and technique guides.
- Supports outside contractor by email and teleconference.



3

Onsite Supervision

Fire Curtain Technologies:

- Technician visits on site and instructs local team to get the materials unpacked, inventoried and organized.
- Get projects started (or finished) with the install and even sign off on the work once completed as time and budget allow.



4

Turn-key Installation

Fire Curtain Technologies:

- Takes the Installation contract through their Network of Installers.

